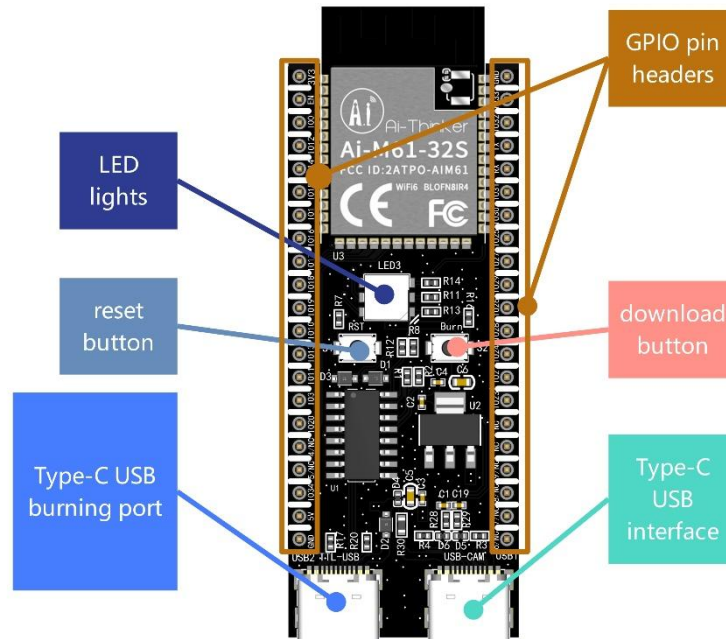


AiPi-Eyes-DU Firmware Use Tutorial



1. Firmware burning

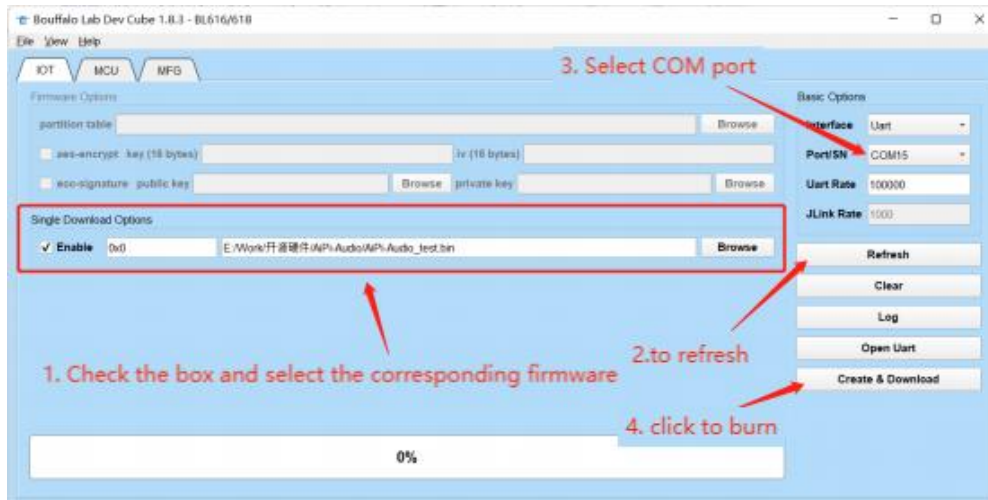
1.1 Burning

Burning tool Download: [click to download](#)

Firmware address: [click to download](#)

Open BLDevCube.exe, choose BL616/618, click Finish.





After the burning tool starts, **press and hold the "Download button" to start the burning,** and then release it.

Note: After the firmware is burned, you need to press the reset button once before the program can run.

2. Secondary development

Achieve RGB three-color light cycle breathing on and off

2.1. Clone (Linux instruction)

```
git clone -b release/v1.0.0 https://github.com/Ai-Thinker-Open/Ai-Pi_Eeys.git
cd Ai-Pi_Eeys
git submodule init
git submodule update

cd aithinker_Ai-M6x_SDK
. install.sh
. export.sh
cd ..
```

2.2. Compile

```
make
```

2.3.Download

```
make flash COMX=/dev/ttyUSB0
//Use the Type-C line to connect TTL-USB to enter the burning mode as follows:
//After the command is issued, long press the Burn key (S2), and release the Burn key (S2) when the burning starts.
```